





-  Gas
-  Liquid & Slurry
-  Solid & Powder
-  Steam & Water

SENTRY TRW SINGLE HELICAL TUBE

Sample Coolers



SAMPLE CONDITIONING

The Sentry® TRW sample cooler cools a sample from a process stream. It may seem simple, but it is a uniquely designed small tube in a shell heat exchanger. The sample to be cooled flows through the tube side of the cooler, and the cooling fluid, usually water, flows through the shell side. The cooled sample then is taken to a laboratory for analysis or piped to in-line process instrumentation for continuous monitoring of properties such as conductivity, pH or other chemical constituents.

MODEL

TRW-4222

BENEFITS

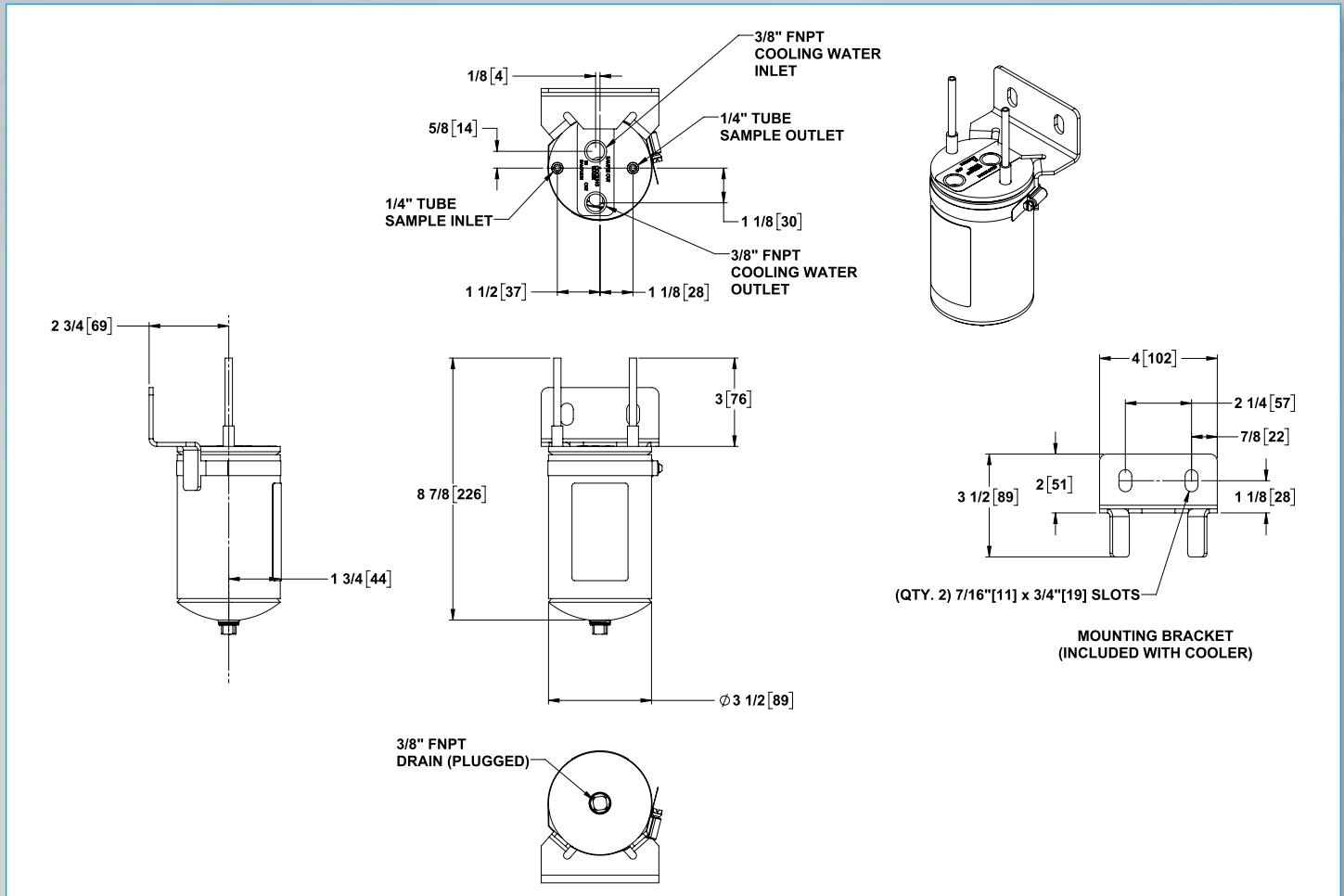
The Sentry TRW sample cooler is compact and provides the industrial boiler user with a cost-effective and efficient sampling alternative. Its small profile allows for easy installation on or near the boiler. It offers optimal service for flows below 1200 cc per minute for single phase heat transfer. Standard tube side material is 300 series stainless steel.

FEATURES

- Helical coil design
- Ideal for cooling low-pressure boiler water



NOTE: Not recommended for steam condensing service. See TLR, FLR, FXR series sample coolers for steam applications.



SPECIFICATIONS							
models	shell design	tube design	tube material	shell material	area	shipping weight	part number
TRW-4222	250 psi at 450°F (17 bar at 232°C)	2000 psi at 850°F (137 bar at 454°C)	300 Series SS 1/4 in OD x 0.049 in AW	304 SS	1.2 ft ² (0.11 m ²)	9 lb (4 kg)	7-05842B

- NOTES:**
- Vessels are exempt from CE marking per PED 2014/68/EU, TÜV. Vessels are below or equal to the limits set forth in Article 4, Sections 1(a), 1(b), 1(c) and Section 2 as applicable, and are designed and manufactured in accordance with sound engineering practice (meets the general requirements of the ASME Section VIII, Division 1, Boiler And Pressure Vessel Code). Nameplate will bear the Sentry name and safety instructions will be included per Article 4, Section 2.

sentry-equip.com

966 Blue Ribbon Circle North, Oconomowoc, WI 53066 U.S.A. | +1-262-567-7256 | sales@sentry-equip.com

© 2020 Sentry Equipment Corp. All rights reserved. All product and company names are property of their respective owners. It is solely the responsibility of end users, through their own testing and analysis, to select products and materials suitable for their specific application requirements, ensure they are properly installed, safely applied and properly maintained, and to limit their use to their intended purpose. Improper selection, installation or use may result in personal injury or property damage.

S-SC-SPS-00560-0 03-20



COMPANY WITH
QUALITY SYSTEM
CERTIFIED BY DNV GL
= ISO 9001 =